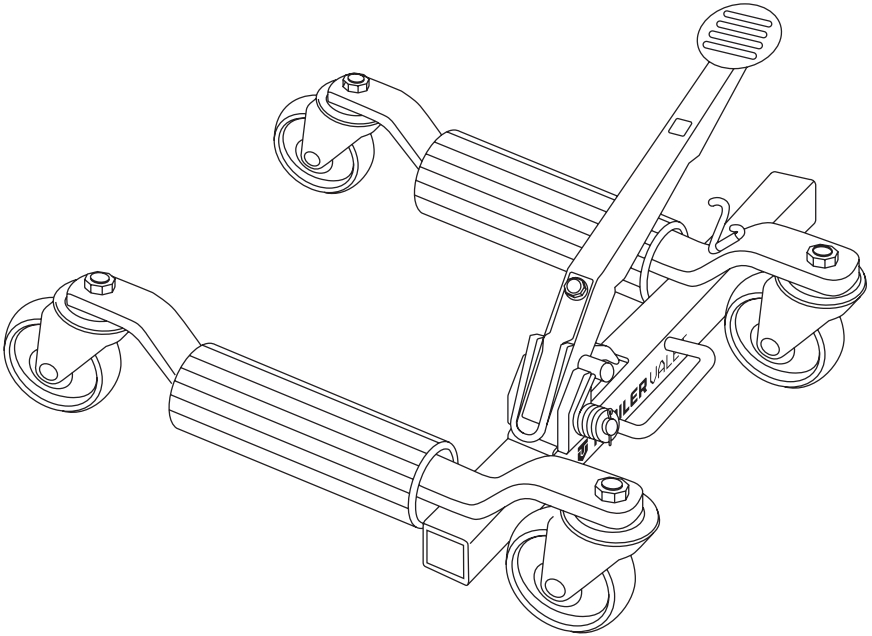


TRAILER VALET

TRAILER VALET WHEEL DOLLIES

OPERATING MANUAL



MOVE FORWARD.



WARNING

Carefully read and understand all the instructions before connecting your new Trailer Valet Wheel Dollies.

Failure to follow these guidelines may result in serious injury to persons and property for which Trailer Valet will not be held liable. Do not allow persons to operate or assemble this trailer dolly until they have read this manual and have developed a thorough understanding of how the trailer dolly works.

SAVE THESE INSTRUCTIONS

TABLE OF CONTENTS

WARNING & TABLE OF CONTENTS.....	2
THANK YOU FOR PURCHASING & SPECIFICATIONS.....	3
IMPORTANT SAFETY INSTRUCTIONS	4
OVERVIEW & ASSEMBLY.....	5
OPERATING INSTRUCTIONS.....	6
LIMITED MANUFACTURER'S WARRANTY.....	7

Phone: (844) 846-9344

Email: support@trailer valet.com

Office: 17970 Ajax Circle., Industry, CA 91748



THANK YOU FOR YOUR PURCHASE

Congratulations on your purchase of the Trailer Valet Wheel Dollies. For your future reference please complete the owner's record below:

Purchase Date: _____ Order No.: _____

Retailer: _____

Be sure to save your receipt and owner's manual with warranty information in a safe place.

SPECIFICATIONS

Material	Steel
Caster Material	Polyurethane
Caster Size	4 in.
Product Height	19 in.
Product Length	29 in.
Product Width	25 in.
Product Weight	34 in.
Shipping Weight	38 in.
Max Tire Width	9 in.
Max Tire Diameter	32 in.
Max Weight Wheel	1250 lbs
Max Vehicle Weight	5000 lbs



IMPORTANT SAFETY INFORMATION

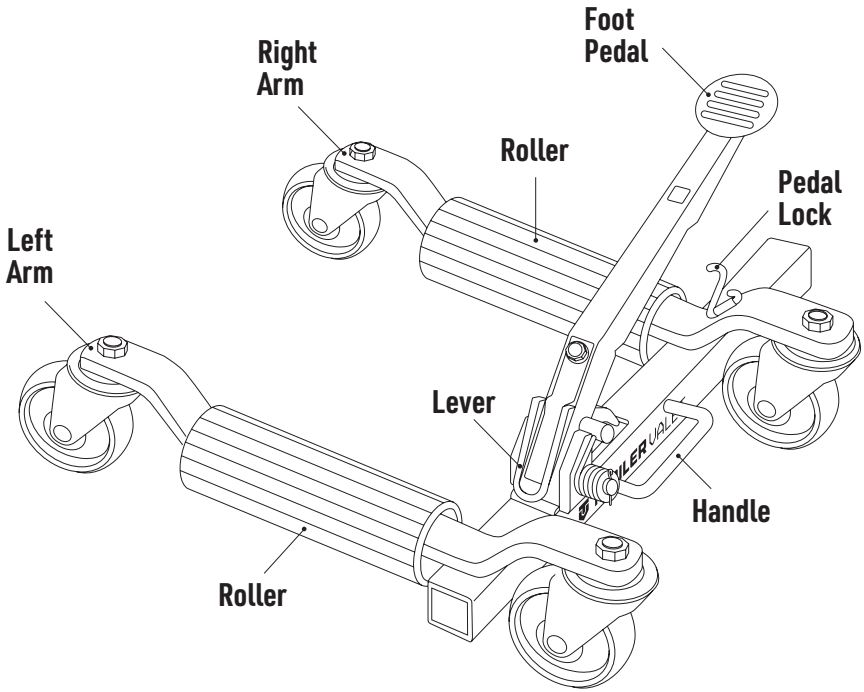
Failure to heed these markings may result in personal injury and/or property damage:

1. Study, understand, and follow all instructions before operating this device.
2. Do not exceed rated capacity.
3. Use only on hard, level surface.
4. Before moving a load, assure that the load is centered and secured with a load restraint device.
5. No alterations shall be made to this product.
6. Wear ANSI-approved safety goggles and heavy-duty work gloves during use.
7. Keep Clear of load's path while placing on and removing from dollies, and while moving.
8. Use as intended only. Do not use for aircraft purposes. Use only in pairs.
9. Inspect before every use; do not use if parts are loose or damaged.
10. Be aware of dynamic loading! Sudden load movement may briefly create excess load causing product failure.
11. Assemble only according to these instructions. Improper assembly can create hazards.
12. Keep your work area clean and well lit. Cluttered work areas invite accidents.
13. Keep bystanders, children, and visitors away while operating Wheel Dolly. Distractions can cause you to lose control.
14. Stay alert. Watch you are doing, and use common sense when operating Wheel Dollies. Do not use while tired or under the influence of drugs, alcohol, or medication. A moment of inattention while operating Wheel Dollies may result in serious personal injury.
15. Before use, read manufacturer's instruction manual for the vehicle you will lift.
16. Keep clear of load while lifting and lowering.
17. Do not work under vehicle while on Dollies.
18. Lower load slowly.
19. Weight capacity and other product capabilities apply to properly and completely assembled product only.
20. Store idle Wheel Dollies out of reach of children and other untrained persons. Jacks are dangerous in the hands of untrained users.
21. Wheel Dolly service must be performed only by qualified repair personnel. Service or maintenance performed by unqualified personnel could result in a risk of injury.
22. When servicing a Wheel Dolly, use only identical replacement parts - refer to attached, product-specific part list and diagram. Follow instructions in the "Inspection, Maintenance, and Cleaning" section of this manual. Use unauthorized parts or failure to follow maintenance instructions may create a risk of injury and may void any applicable warranty.
23. Industrial applications must follow OSHA requirements
24. Do not allow anyone in the vehicle while using the Wheel Dolly. Do not start the vehicle while it is on the Wheel Dollies. Keep all bystanders a safe distance away from the vehicle.
25. This product is not a toy. Do not allow children to play with or near this item.
26. Maintain product labels and nameplates. These carry important safety information.
27. The warnings, precautions, and instructions, discussed in this manual cannot cover all possible conditions and situations that may occur. The operator must understand that common sense and caution are factors, which cannot be built into this product, but must be supplied by the operator.
28. Do not roll the seat while loaded over rough surfaces, such as concrete seams. Use on flat, level, hard surface only. Wheels may scratch or dig into less durable surfaces (such as linoleum or wood)

SAVE THESE INSTRUCTIONS

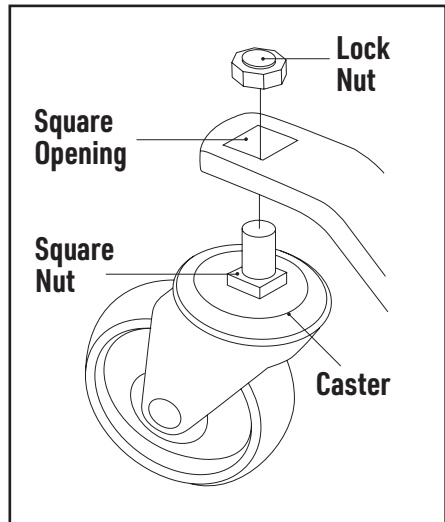


OVERVIEW



ASSEMBLY

1. Assemble on a flat, level, hard and smooth surface.
2. Attach Casters, making sure the Square Nuts seat inside the Square Openings.
3. Thread Lock Nuts on to Caster bolts, securing tightly.





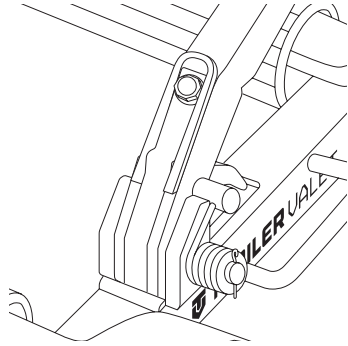
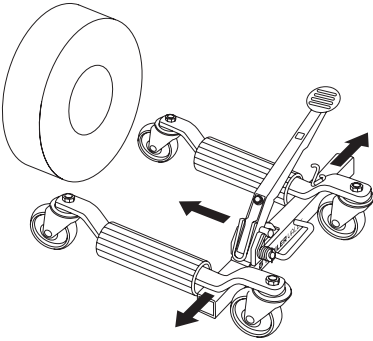
OPERATING INSTRUCTIONS

1. Release the Foot Pedal by depressing it and disengaging the Pedal Lock.

2. LIFTING TIRE:

a. With the Lever in the down position, roll Dolly in front of tire, spread Arms apart, then push Dolly forward so that Rollers are either side of tire.

b. Move the Lever to the up position, then pump the Foot Pedal until the tire is just lifted off the ground.



WARNING! Be ready for any movement the vehicle may make when the other tire(s) come off the ground. Ensure that you have sufficient assistance and manpower to safely guide and control the vehicle.

3. REPEAT 2. LIFTING TIRE: For the other tire(s). Use only in pairs.

WARNING! Stay clear of any sloping areas or entry ramps, however shallow they may appear. Sufficient space should be allowed between the side of the vehicle and an adjacent wall for the vehicle to be withdrawn from it's location in a sideways manner.

4. LOWERING TIRE:

- Move the Lever to the down position, then depress and release the Foot Pedal.
- Once tire is on the ground, spread Arms and remove Dolly.
- Push arms together, then depress Foot Pedal all the way and secure with Pedal Lock.



LIMITED MANUFACTURER'S WARRANTY

SuperTech S Corp warrants for one year from the purchase date that the product will be in working condition and will be free from manufacturing defects, provided that installation and use of the product is in accordance with product instructions. This warranty is only made to the original consumer purchaser and is non-transferable.

ALL OTHER WARRANTIES IMPLIED OR EXPRESSED ARE HEREBY DISCLAIMED.

THIS WARRANTY DOES NOT COVER:

1. Normal wear and tear or normal aging of the product;
2. Consumable parts designed to diminish over time, unless failure occurred due to a manufacturing defect;
3. Cosmetic damage, including but not limited to scratches and dents;
4. Damage through accident, abuse, neglect, misuse, natural events, or other external causes;
5. Damage through misapplication, overloading, or improper installation;
6. Damage due to improper maintenance and repair; and/or
7. Product alterations.

LIMITATION OF LIABILITY:

EXCEPT AS PROVIDED IN THIS WARRANTY AND TO THE MAXIMUM EXTENT PERMITTED BY LAW, SUPERTECH IS NOT RESPONSIBLE FOR ANY DIRECT, INCIDENTAL, CONSEQUENTIAL DAMAGES, OR INJURIES RESULTING FROM ANY BREACH OF WARRANTY OR CONDITION; INCLUDING, BUT NOT LIMITED TO, LOSS OF USE, LOSS OF REVENUE, LOSS OF ACTUAL OR ANTICIPATED PROFITS, LOSS OF BUSINESS, LOSS OF OPPORTUNITY, LOSS OF GOOD WILL, LOSS OF REPUTATION, OR ANY DIRECT, INDIRECT, OR CONSEQUENTIAL LOSS OR DAMAGE WHATSOEVER CAUSED, INCLUDING THE REPLACEMENT OF EQUIPMENT AND PROPERTY.

CUSTOMER RESPONSIBILITIES:

Customers may be required to provide proof of purchase date, respond to questions designed to assist with diagnosing potential issues, and follow Trailer Valet's directions to make a claim on your warranty.

TO MAKE A WARRANTY CLAIM:

Contact us either through:

1. PHONE: (844) 846-9344
2. EMAIL: support@trailervalet.com
3. OFFICE: 17970 Ajax Circle, Industry, CA 91748

TRAILER VALET SHALL HAVE THE EXCLUSIVE RIGHT TO DETERMINE IF A UNIT IS COVERED UNDER ITS LIMITED MANUFACTURER'S WARRANTY.

SEVERABILITY:

The invalidity, illegality, or unenforceability of any provision of this warranty shall not render the other provisions invalid, illegal, or unenforceable.

GOVERNING LAW AND JURISDICTION

This warranty shall be governed by the laws of the State of California. The courts of California shall have the exclusive right to adjudicate any disputes arising under or in connection to this warranty.

Copyright 2020 by Supertech S. Corporation. All rights reserved. No portion of this manual or any artwork contained herein may be reproduced in any shape or form without the express written consent of Supertech S. Corporation.



For further information or if you have any questions, please contact:

SUPERTECH S. CORP.
17970 Ajax Circle
Industry, CA 91748
Customer Service: (844) 846-9344
Email: support@trailervalet.com
WWW.TRAILERVALET.COM
